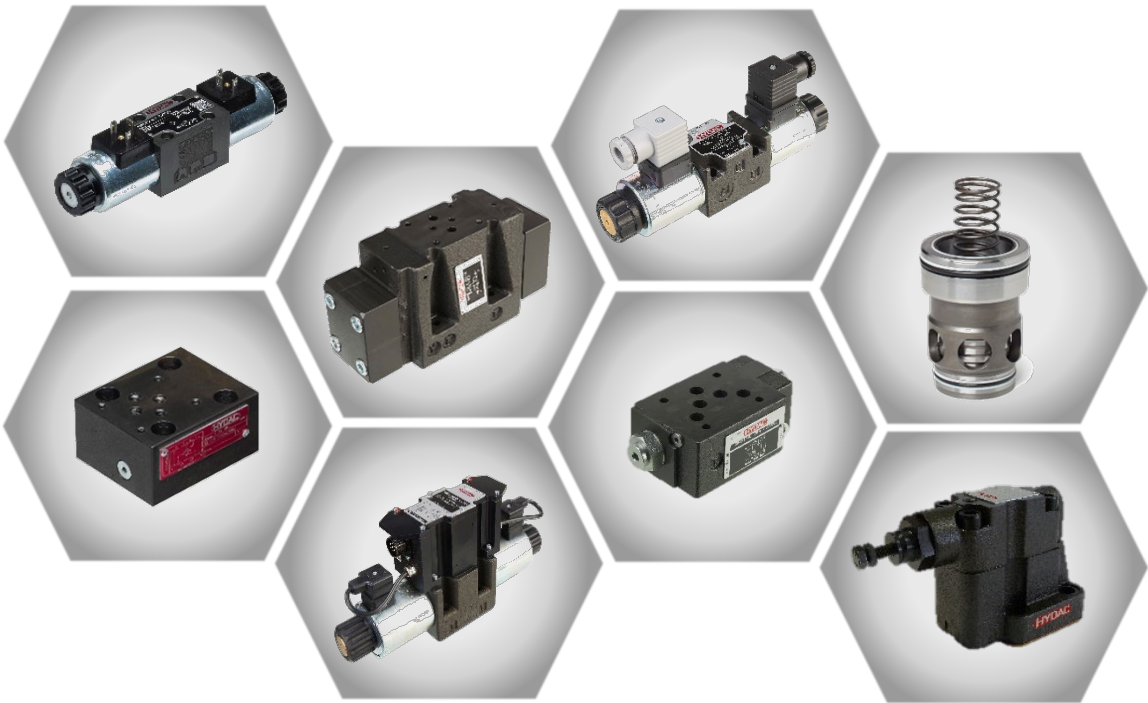


## Accessories for industrial valves



### CONTENT

4WE – Directional spool valves, solenoid-operated	2
4WH – Directional spool valves, hydraulically pilot operated	3
WSE – Directional poppet valves, solenoid-operated	4
ZW – Valves in sandwich plate design	4
VP – Plate mounted valves	4
P4WE – Proportional directional valves	5
L-CEE – 2-way cartridge valves	6
LD-CCE – Covers for 2-way cartridge valves	7
Subplate	7
Cover plates	9
Crossover plates	10

## 4WE – Directional spool valves, solenoid-operated

	Nominal size	Designation	Sealing material	Scope of delivery	Part no.		
Seal kits	6	Seal kit 4WE 6 NBR	NBR	4 x O-ring Ø9,25 mm	3492432		
		Seal kit 4WE 6 FKM	FKM		3120269		
	10	Seal kit NG10 NBR	NBR	4 x O-ring Ø12,42 mm	4348706		
		Seal kit NG10 FPM	FKM		4348705		
Mounting screws	6	Mounting screws (P)4WE 6 A01		4 x M5	4312231		
	10	Mounting screws 4WE/4PWE 10		4 x M6	3524314		
Solenoid coils	6	COIL 12DG -50-2345 -S		1 piece	4244169		
		COIL 24DG -50-2345 -S			4244171		
		COIL 96DG -50-2345 -S			4244173		
		COIL 110DG -50-2345 -S			4330790		
		COIL 205DG -50-2345 -S			4244275		
		COIL 220DG -50-2345 -S			4386106		
		COIL 12DN -50-2345 -S			4244170		
		COIL 24DN -50-2345 -S			4244172		
		COIL 12DO -50-2345 -S			4250874		
		COIL 24DO -50-2345 -S			4250885		
		COIL 12DU -50-2345 -S			4250893		
		COIL 24DU -50-2345 -S			4250892		
		COIL 110AG -50-2345 -S			4244174		
		COIL 120AG -50-2345 -S			4348779		
	COIL 230AG -50-2345 -S		4244276				
	6 <sup>1</sup>	COIL 24DG -50-2345;8W -S			4277864		
		COIL 24DO -50-2345;8W -S			4250889		
		COIL 24DN -50-2345;8W -S			4290983		
	10	COIL 12DG -75-3164 38W			4251228		
		COIL 24DG -75-3164 38W			4251230		
		COIL 96DG -75-3164 38W			4251232		
		COIL 110DG -75-3164 38W			4251233		
		COIL 125DG -75-3164 38W			4251234		
		COIL 205DG -75-3164 38W			4251255		
		COIL 220DG -75-3164 38W			4251257		
		COIL 12DN -75-3164 38W			4360072		
		COIL 24DN -75-3164 38W			4360073		
		COIL 24DO -75-3164 38W			4251262		
		Seal kit solenoid coils	6		COIL-NUT-KIT NG6 -Standard		1 x Nut open, O-ring
	COIL-NUT-KIT NG6 -M1					1 x Nut with folding cap, O-ring	4317301
	COIL-NUT-KIT NG6 -M2					1 x Nut with cap, O-ring	4317302
	COIL-NUT-KIT NG6 -M4						4454991
COIL-NUT-KIT NG6 -M5					4454992		
COIL-NUT-KIT NG6 -M6					4454993		
10	COIL-NUT-KIT NG10 -Standard			1 x Nut open, O-ring	4348711		
	COIL-NUT-KIT NG10 -M1			1 x Nut with folding cap, O-ring	4348713		
	COIL-NUT-KIT NG10 -M4				4454994		
Manual overrides	6	MU kpl. M22x1,5 SO1166		1 x M4 with knurled-head screw	4429328		
		Mushroom manual override (lockable)		1 x M5 with mushroom manual override (lockable)	4373722		
		Mushroom manual override (not lockable)		1 x M6 with mushroom manual ov. (not lockable)	4373490		
	10	GZ63-* - 3K cap M.N. M30x1.5		1 x M1 with pleated cap	912544		
		MU kpl. M30x1,5 SO1166		1 x M4 with knurled-head screw	4431668		

<sup>1</sup> for Series A08

### Hint

The chart lists accessory parts of the **A01** Series.

For accessories of the **S01** series, please contact your technical contact person at HYDAC.

M1 Coil nut kits for valve version M1 only.

## 4WE – Directional spool valves, solenoid-operated

	Nominal size	Designation	Sealing material	Scope of delivery	Part no.	
Connector	6 10	Cable socket Z4 grey 2 pole		1 x Z4 Standard, 2-pole without PE	394287	
		Cable socket ZW4 grey 2 pole Glr.		1 x ZW4 incl. rectifier	394293	
		Cable socket Z4L grey 2 pole LED		1 x Z4L LED, 2-pole	394285	
Orifice insert	6	Plug-in orifice 0,8 NG6 series A/N	NBR	1 x Orifice 0,8 mm	4532049	
		Plug-in orifice 0,8 NG6 series A/V	FKM	1 x Orifice 0,8 mm	4532048	
		Plug-in orifice 1,0 NG6 series A/N	NBR	1 x Orifice 1,0 mm	4532051	
		Plug-in orifice 1,0 NG6 series A/V	FKM	1 x Orifice 1,0 mm	4532050	
		Plug-in orifice 1,2 NG6 series A/N	NBR	1 x Orifice 1,2 mm	4532053	
		Plug-in orifice 1,2 NG6 series A/V	FKM	1 x Orifice 1,2 mm	4532052	
		Plug-in orifice 1,5 NG6 series A/N	NBR	1 x Orifice 1,5 mm	4532125	
		Plug-in orifice 1,5 NG6 series A/V	FKM	1 x Orifice 1,5 mm	4532054	
		Plug-in orifice 1,8 NG6 series A/N	NBR	1 x Orifice 1,8 mm	4532127	
		Plug-in orifice 1,8 NG6 series A/V	FKM	1 x Orifice 1,8 mm	4532126	
		Plug-in orifice 2,0 NG6 series A/N	NBR	1 x Orifice 2,0 mm	4532129	
		Plug-in orifice 2,0 NG6 series A/V	FKM	1 x Orifice 2,0 mm	4532128	
	10	Plug-in orifice 0,8 NG10 series A		1 x Orifice 0,8 mm	4549897	
		Plug-in orifice 1,0 NG10 series A		1 x Orifice 1,0 mm	4549898	
		Plug-in orifice 1,2 NG10 series A		1 x Orifice 1,2 mm	4549899	
		Plug-in orifice 1,5 NG10 series A		1 x Orifice 1,5 mm	4549900	
		Plug-in orifice 1,8 NG10 series A		1 x Orifice 1,8 mm	4549901	
			Plug-in orifice 2,0 NG10 series A		1 x Orifice 2,0 mm	4549902

### Hint

The chart lists accessory parts of the **A01** Series.

For accessories of the **S01** series, please contact your technical contact person at HYDAC.

## 4WH – Directional spool valves, hydraulically operated

	Nominal size	Designation	Sealing material	Scope of delivery	Part no.
Seal kits	10	Seal kit 4WH 10 NBR	NBR	5 x O-ring Ø12,42 mm	3524475
		Seal kit 4WH 10 FPM	FKM	+ 2 x O-ring Ø9,25 mm	3524523
	16	Seal kit 4WH 16 NBR	NBR	4 x O-ring Ø22,22 mm	3524553
		Seal kit 4WH 16 FPM	FKM	+ 2 x O-ring Ø10,82 mm	3524634
	25	Seal kit 4WH/C4WEHRE 25 NBR	NBR	4 x O-ring Ø29,82 mm	3524659
		Seal kit 4WH/C4WEHRE 25 FPM	FKM	+ 2 x O-ring Ø20,24 mm	3524660
32	Seal kit 4WH 32 NBR	NBR	4 x O-ring Ø37,59 mm	3524685	
	Seal kit 4WH 32 FPM	FKM	+ 2 x O-ring Ø20,24 mm	3524690	
Mounting screws	10	Mounting screws (P)4WH 10		4 x M6	3524691
	16	Mounting screws 4WH 16		4 x M10 + 2 x M6	3524695
	25	Mounting screws (P)4WH 25		6 x M12	3524698
	32	Mounting screws (P)4WH 32		6 x M20	3524700
Plugs*	10	Plug M5x6 for 4WH 10		1 x M5	4452918
	16				
	25	Plug M6x8 for 4WH 16/25/32		1 x M6	3524750
	32				

\*for port X/Y for pilot oil supply/ pilot oil drain

## WSE – Directional poppet valves, solenoid-operated

	Nominal size	Designation	Sealing material	Scope of delivery	Part no.
Seal kits	6	Seal kit 4WE 6 FKM	FKM	4 x O-ring Ø9,25 mm	3120269
Mounting screws		Mounting screws (P)4WE 6 A01		4 x M5	4312231
Solenoid coils		COIL 24DG -50-2345 -S		1 piece	4244171
		COIL 24DN -50-2345 -S			4244172
		COIL 24DO -50-2345 -S			4250885
		COIL 24DU -50-2345 -S			4250892
Seal kit solenoid coils		COIL-NUT-KIT NG6 -Standard		1 x Nut open, O-ring	4317299
		COIL-NUT-KIT NG6 -M2		1 x Nut + cap, O-ring	4317302
Connector		Cable socket Z4 grey 2 pole		1 x Z4 Standard, 2-pole without PE	394287
		Cable socket Z4L grey 2 pole LED		1 x Z4L incl. LED	394285
Orifice insert		BL700-6-D8-0.5-A*00		1 x Orifice 0,5 mm	3687934
		BL700-6-D8-0.7-A*00		1 x Orifice 0,7 mm	3687956
		BL700-6-D8-1.0-A*00		1 x Orifice 1,0 mm	3687961
		BL700-6-D8-1.4-A*00		1 x Orifice 1,4 mm	3656890
		BL700-6-D8-2.0-A*00		1 x Orifice 2,0 mm	3687970
Check valve (port P)		RV500-6-D8-V-A*00		1 piece	4269275

### Caution

The combination of orifice insert and check valve is not allowed.

## ZW – Valves in sandwich plate design

	Nominal size	Designation	Sealing material	Scope of delivery	Part no.
Seal kits	6	Seal kit 4WE 6 NBR	NBR	4 x O-ring Ø9,25 mm	3492432
		Seal kit 4WE 6 FKM	FKM		3120269
	10	Seal kit 4WE 10 FKM	FKM	5 x O-ring Ø12,42 mm	3492434
		Seal kit 4WE 10 NBR	NBR		3492433
	16	Seal kit 4WH 16 NBR	NBR	4 x O-ring Ø22,22 mm	3524553
		Seal kit 4WH 16 FPM	FKM	2 x O-ring Ø10,82 mm	3524634
	25	Seal kit 4WH/C4WEHRE 25 NBR	NBR	4 x O-ring Ø29,82 mm	3524659
		Seal kit 4WH/C4WEHRE 25 FPM	FKM	2 x O-ring Ø20,24 mm	3524660

## VP – Plate mounted valves

	Valve type	Designation	Sealing material	Scope of delivery	Part no.
Seal kits	VP-P2SRR 6 VP-2SR 6 VP-P2SRE 6	Seal kit VP-P2SRR6,-2SR6,-P2SRE6 NBR	NBR	2 x O-ring Ø14 mm	3526072
		Seal kit VP-P2SRR6,-2SR6,-P2SRE6 FPM	FKM		3526085
	VP-RP 6 VP-DRP 6 VP-PDB 6 VP-PDRP 6	Seal kit VP-RP6, -DRP6,-PDB6,-PDRP6 NBR	NBR	4 x O-ring Ø9,25 mm	3526088
		Seal kit VP-RP6, -DRP6,-PDB6,-PDRP6 FPM	FKM		3526091
	VP-DBP 10 VP-PDBP 10	Seal kit VP-DBP10, VP-PDBP10 NBR	NBR	2 x O-ring Ø17,86 mm	3526094
		Seal kit VP-DBP10, VP-PDBP10 FPM	FKM	1 x O-ring Ø9,19 mm	3526098
	VP-DRP 10 VP-RP 10	Seal kit VP-DRP10, VP-RP10 NBR	NBR	2 x O-ring Ø17,13 mm	3526099
		Seal kit VP-DRP10, VP-RP10 FPM	FKM	2 x O-ring Ø5,28 mm	3526101
	VP-2SR 10	Seal kit VP-2SR10 NBR	NBR	2 x O-ring Ø15 mm	3526102
		Seal kit VP-2SR10 FPM	FKM		3526103

## VP – Plate mounted valves

	Valve type	Designation	Sealing material	Scope of delivery	Part no.
<b>Mounting screws</b>	VP-2SR 6	Mounting screws VP-2SR6		4 x M5	3526116
	VP-RP 6 VP-DRP 6 VP-PDRP 6	Mounting screws VP-RP6,-DRP6,-PDRP			3526118
	VP-DBP 10 VP-PDBP 10	Mounting screws VP-DBP10,-PDBP10		4 x M12	3526122
	VP-DRP 10 VP-RP 10	Mounting screws VP-DRP10,VP-RP10		4 x M10	3526126
	VP-PDB 6	Mounting screws VP-PDB6		4 x M5	3526129
	VP-P2SRE 6	Mounting screws VP-P2SRE6			3526131
	VP-P2SRR 6	Mounting screws VP-P2SRR6			3526133
	VP-2SR 10	Mounting screws VP-2SR10		4 x M8	3526134
<b>Solenoid coils</b>	VP-P2SRE 6	Coil for P4WE / VP-P2SRE 24Volt		1 piece	3549737
<b>Connector</b>		Cable socket Z4 grey 2 pole		1 x Z4 Standard, 2-pole without PE	394287
		Cable socket ZW4 grey 2 pole Glr		1 x ZW4 incl. rectifier	394293

## P4WE – Proportional directional valves

	Nom. size/ Valve type	Designation	Sealing material	Scope of delivery	Part no.
<b>Seal kits</b>	<b>6</b>	Seal kit ZW/P4WE 6 FPM	FKM	4 x O-ring Ø9,25 mm	3524413
		Seal kit ZW/P4WE 6 NBR	NBR		3524355
	<b>10</b>	Seal kit ZW/P4WE 10 FPM	FKM	4 x O-ring Ø12,45 mm	3524439
		Seal kit ZW/P4WE 10 NBR	NBR		3524438
<b>Mounting screws</b>	<b>6</b> <sup>1</sup>	Mounting screws (P)4WE 6 A01		4 x M5	4312231
	<b>6</b>	Mounting screws 4WE/P4WE 6			3524313
	<b>10</b>	Mounting screws 4WE/4PWE 10		4 x M6	3524314
<b>Solenoid coils</b>	<b>6</b> <sup>1</sup>	COIL 12PG- 2.7 -50-2345 -S		1 piece	4356846
		COIL 24PG- 5 -50-2345 -S			4356848
		COIL 12PN- 2.7 -50-2345 -S			4356849
		COIL 24PN- 5 -50-2345 -S			4356851
	<b>6</b>	Coil for P4WE / P4WEE 12Volt			3549725
		Coil for P4WE / VP-P2SRE 24Volt			3549737
	<b>10</b>	Coil for P4WE / P4WEE 12Volt			3549738
Coil for P4WE 24Volt			3549739		
<b>Seal kit solenoid coils</b>	<b>6</b> <sup>1</sup>	COIL-NUT-KIT NG6 -Standard		1 x Nut open, O-ring	4317299
<b>Connector</b>	P4WE(R) 6/ 10	Cable socket Z4 grey 2 pole		1x Z4 Standard, 2-pole	394287
<b>Control module</b> <sup>2</sup>	P4WE 6/10	EHCD-AP012XXXD		1 piece	6108508
		EHCD-AP011XXXD			6112594
	P4WE(R) 6/ 10	EHCD-AM005XXXU			6158999
<b>Service Tool</b>		Prop-Box			3904840
<b>Main connector for Onboard Electronic</b>		Plug connector 6+PE EN175201 Part 804			6080324
<b>Electronics for Onboard Electronic</b>		LINBUS Interface			3648934

<sup>1</sup> for Series A01 only

<sup>2</sup> For further information see brochure "Control modules for hydraulic drives -EHCD" catalogue-24000.2/10/14 or contact customer support [EHCD@hydac.com](mailto:EHCD@hydac.com)

## L-CEE – 2-way cartridge valves

	Nominal size	Designation	Sealing material	Scope of delivery	Part no.
Seal kits	16	Seal kit L-CEE 16 H/V	FKM	1 x for L-CEE 16 H	4055843
		Seal kit L-CEE 16 H/N	NBR		4055840
		Seal kit L-CEE 16 H X/V	FKM	1 x for L-CEE 16 H X	4055848
		Seal kit L-CEE 16 H X/N	NBR		4055846
	25	Seal kit L-CEE 25 H/V	FKM	1 x for L-CEE 25 H	4055867
		Seal kit L-CEE 25 H/N	NBR		4055851
		Seal kit L-CEE 25 H X/V	FKM	1 x for L-CEE 25 H X	4055869
		Seal kit L-CEE 25 H X/N	NBR		4055868
	32	Seal kit L-CEE 32 H/V	FKM	1 x for L-CEE 32 H	4055872
		Seal kit L-CEE 32 H/N	NBR		4055870
		Seal kit L-CEE 32 H X/V	FKM	1 x for L-CEE 32 H X	4055895
		Seal kit L-CEE 32 H X/N	NBR		4055874
	40	Seal kit L-CEE 40 H/V	FKM	1 x for L-CEE 40 H	4055898
		Seal kit L-CEE 40 H/N	NBR		4055896
		Seal kit L-CEE 40 H X/V	FKM	1 x for L-CEE 40 H X	4055900
		Seal kit L-CEE 40 H X/N	NBR		4055899
	50	Seal kit L-CEE 50 H/V	FKM	1 x for L-CEE 50 H	4055902
		Seal kit L-CEE 50 H/N	NBR		4055901
		Seal kit L-CEE 50 H X/V	FKM	1 x for L-CEE 50 H X	4055915
		Seal kit L-CEE 50 H X/N	NBR		4055903
	63	Seal kit L-CEE 63 H/V	FKM	1 x for L-CEE 63 H	4055917
		Seal kit L-CEE 63 H/N	NBR		4055916
		Seal kit L-CEE 63 H X/V	FKM	1 x for L-CEE 63 H X	4055920
		Seal kit L-CEE 63 H X/N	NBR		4055918
	80	Seal kit L-CEE 80 H/V	FKM	1 x for L-CEE 80 H	4486893
		Seal kit L-CEE 80 H/N	NBR		4486928
		Seal kit L-CEE 80 H X/V	FKM	1 x for L-CEE 80 H X	4486929
		Seal kit L-CEE 80 H X/N	NBR		4486934

Nominal size	Spring spare part depending on NG and poppet design with pressure specification [bar]					Part no. spring
	A	B	C	E	F	
16	0,5	0,5	0,5	0,3	0,3	4161593
	1,0	1,0	1,0	0,7	0,7	4161615
	2,0	1,9	1,9	1,4	1,4	4161616
	4,0	3,8	3,8	2,7	2,7	4161617
25	0,5	0,5	0,5	0,4	0,4	4161451
	1,0	1,0	1,0	0,7	0,7	4161452
	2,0	2,1	2,1	2,5	2,5	4161453
	4,0	4,2	4,2	3,0	3,0	4161454
32	0,5	0,5	0,5	0,4	0,4	4161624
	1,0	1,0	1,0	0,7	0,7	4161625
	2,0	2,0	2,0	1,4	1,4	4161626
	4,0	4,0	4,0	2,8	2,8	4161627
40	0,4	0,5	0,5	0,4	0,4	4161633
	0,7	1,0	1,0	0,7	0,7	4161634
	1,4	2,0	2,0	1,4	1,4	4161634 + 4161675
	2,9	4,0	4,0	2,9	2,9	4161676 + 4161675
50	0,4	0,5	0,5	0,4	0,4	4161585
	0,7	1,0	1,0	0,7	0,7	4161586
	1,4	2,0	2,0	1,4	1,4	4161587
	2,9	4,0	4,0	2,9	2,9	4161587 + 4161588
63	0,4	0,5	0,5	0,4	0,4	4161618
	0,7	1,0	1,0	0,7	0,7	4161619
	1,5	2,0	2,0	1,4	1,7	4161620
	2,9	4,0	4,0	2,9	2,9	4161620 + 4161623
80	0,4	0,5	0,5	0,4	0,4	4161629
	0,7	1,0	1,0	0,7	0,7	4161630
	1,4	2,0	2,0	1,4	1,4	4161631
	2,8	4,0	4,0	2,8	2,8	4161631 + 4161632

## LD-CCE – Cover for 2-way cartridge valves

	Nominal size	Designation	Sealing material	Scope of delivery	Part no.
<b>Seal kits</b>	16	LD-FS 16 H 6/N	NBR	1 piece	4167630
	25	LD-FS 25 H 6/N			4167631
	32	LD-FS 32 H 6/N			4167632
	40	LD-FS 40/50 H 6 /N			4167633
	50	LD-FS 40/50 H 6 /N			4167633
	63	LD-FS 63 H 6/N			4167655
	80	LD-FS 80 H 6/N			4167657
<b>Mounting screws</b>	16	Mounting screws LD-CEE 16		4 x M8	3524859
	25	Mounting screws LD-CEE 25		4 x M12	3526065
	32	Mounting screws LD-CEE 32		4 x M16	3526067
	40	Mounting screws LD-CEE 40/50		4 x M20	3526069
	63	Mounting screws LD-CEE 63		4 x M30	3526070
	80	Mounting screws LD-CEE 80		4 x M24	4514532
<b>Orifice insert</b>		Nozzle LD-CCE M5 0,8mm		1 x M5 for Orifice 0,8 mm	6071916
		Nozzle LD-CCE M6 0,8mm		1 x M6 for Orifice 0,8 mm	6071917
		Nozzle LD-CCE M8 0,8mm		1 x M8 for Orifice 0,8 mm	6071918
		Nozzle LD-CCE M10 0,8mm		1 x M10 for Orifice 0,8 mm	6071919
		Nozzle LD-CCE M5 1,5mm		1 x M5 for Orifice 1,5 mm	6071920
		Nozzle LD-CCE M6 1,5mm		1 x M6 for Orifice 1,5 mm	6071921
		Nozzle LD-CCE M8 1,5mm		1 x M8 for Orifice 1,5 mm	6071922
	Nozzle LD-CCE M10 1,5mm		1 x M10 for Orifice 1,5 mm	6071923	

## SUBPLATE

### MODEL CODE

AP - 6 - G3/8 - S01 / 1 / N

#### Type

Subplate

#### Nominal size (NG)

6, 10

#### Ports or function

G3/8 = NG6 (ports P, A, B, T)  
G1/2 = NG10 (ports P, A, B, T)

#### series

A01 = zinc-plated

#### Interface

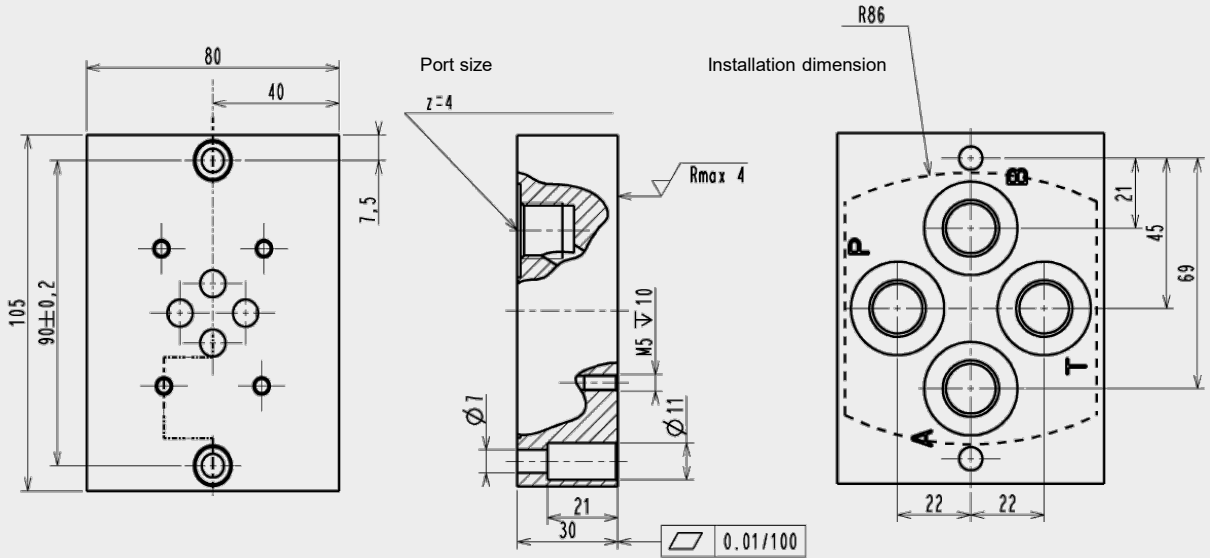
1 = NG6: DIN 24340 form A6 ISO 4401  
NG10: DIN 24340 form A10 ISO 4401

#### Sealing material

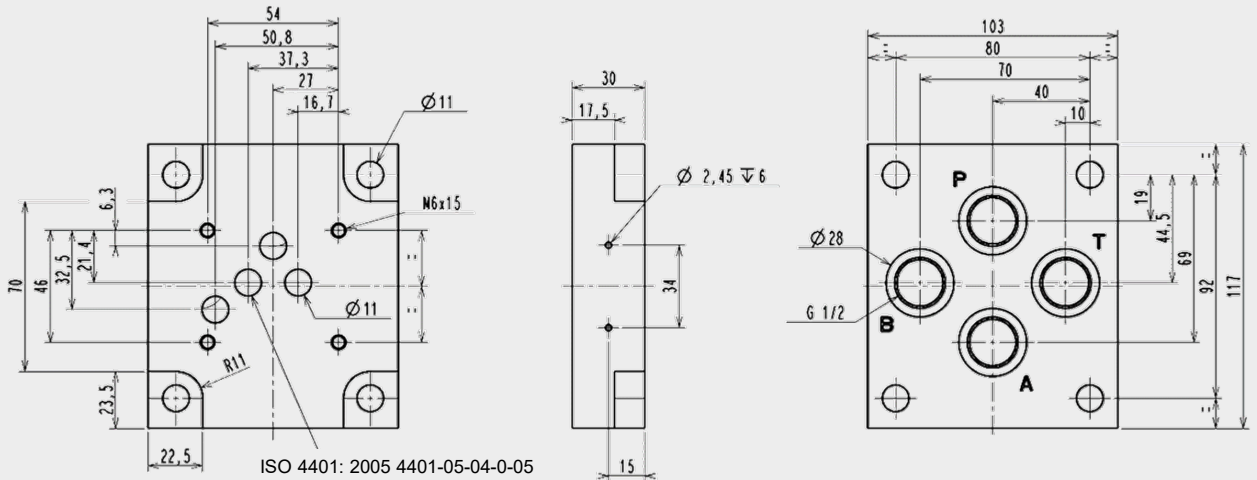
V = FKM  
N = NBR

# DIMENSIONS

## NG6



## NG10



	Interface	Designation	Part no.
Subplate	ISO 4401-03-02-0-05	AP-6-G3/8-A01/1	4669638
	ISO 4401-05-04-0-05	AP-10-G1/2-A01/1	4669637



# COVER PLATE

## MODEL CODE

SP - 6 - S01 / 1 / N

### Type

Cover plate

### Nominal size (NG)

6, 10

### Series

S01 = phosphate-plated  
S02 = zinc-plated

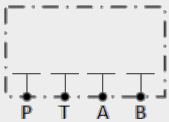
### Interface

1 = NG6: DIN 24340 form A6 ISO 4401  
NG10: DIN 24340 form A10 ISO 4401

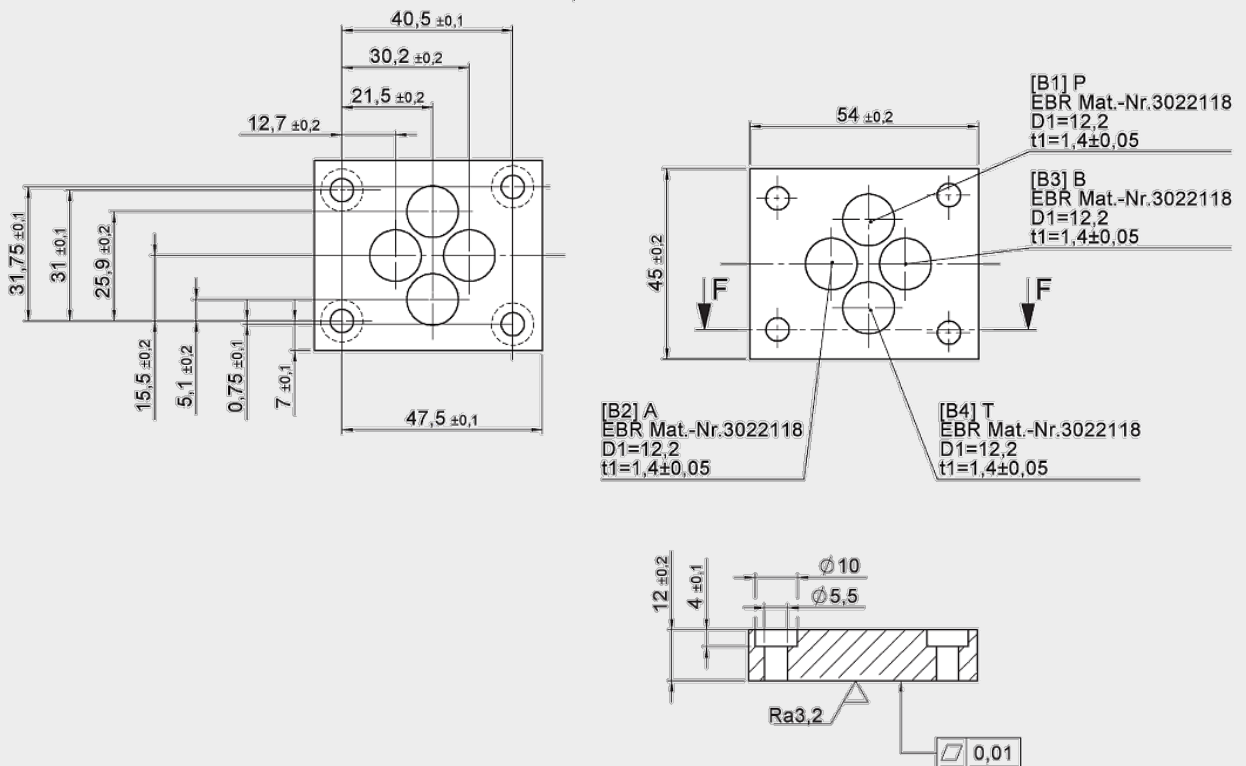
### Sealing material

V = FKM  
N = NBR

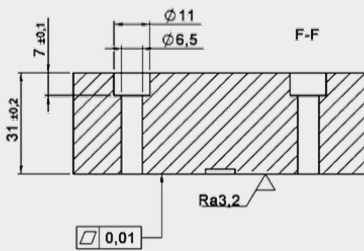
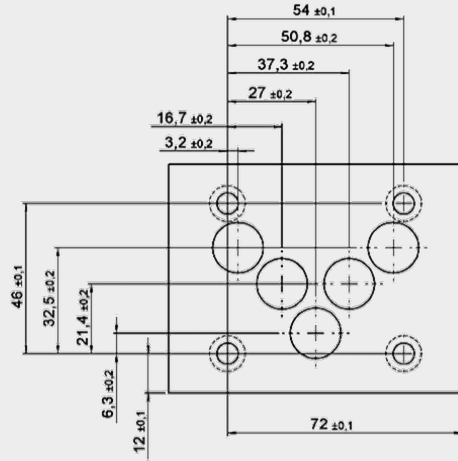
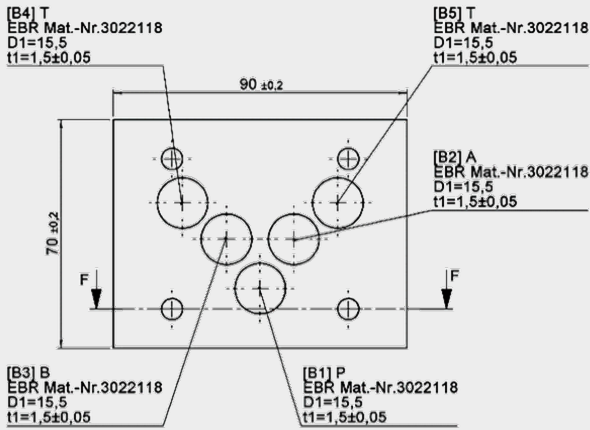
## DIMENSIONS



### NG6



# NG10



	Interface	Designation	Sealing material	Part no.
Cover plates	ISO 4401-03-02-0-05	SP-6-S01/1/N	NBR	3611576
		SP-6-S01/1/V	FKM	3611580
		SP-6-S02/1/N	NBR	3632323
		SP-6-S02/1/V	FKM	3632322
	ISO 4401-05-04-0-05	SP-10-S01/1/N	NBR	3738287
		SP-10-S01/1/V	FKM	3782210
		SP-10-S02/1/N	NBR	4136064
		SP-10-S02/1/V	FKM	4136105

## CROSSOVER PLATES

### MODEL CODE

**UP - 6 - PATB - S01 / 1 / N**

#### Type

Crossover plate

#### Nominal size (NG)

6

#### Ports or function

PATB = connection PA/TB

PBTA = connection PB/TA

#### Series

S01 = phosphate-plated

S02 = zinc-plated

#### Interface

1 = NG6: DIN 24340 form A6 ISO 4401

NG10: DIN 24340 form A10 ISO 4401

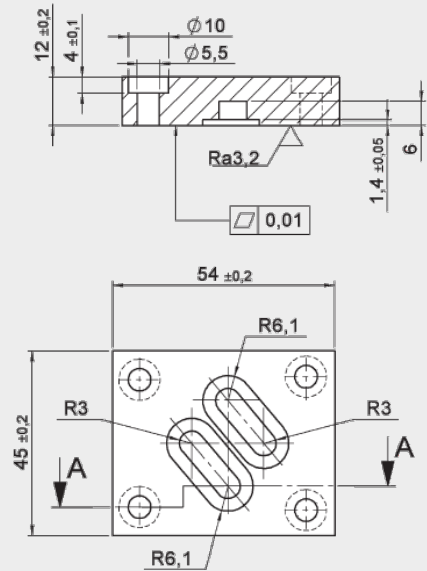
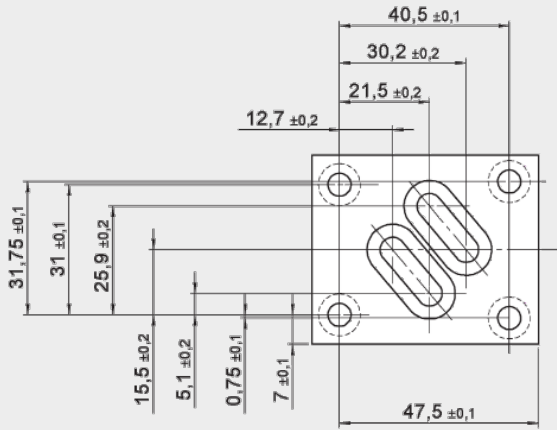
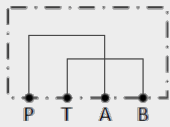
#### Sealing material

V = FKM

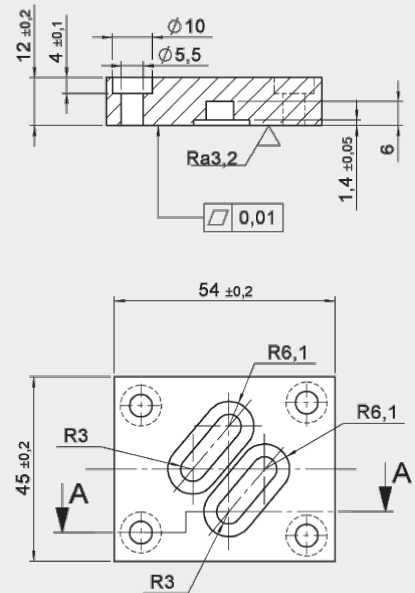
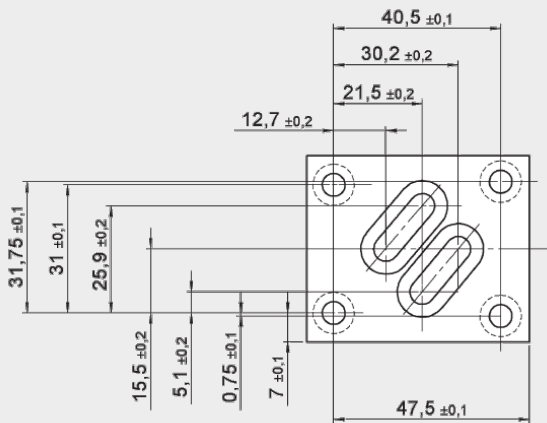
N = NBR

## DIMENSIONS

### PATB



### PBTA



	Interface	Designation	Sealing material	Part no.
Crossover plates	ISO 4401-03-02-0-05	UP-6-PATB-S01/1/N	NBR	3581660
		UP-6-PATB-S01/1/V	FKM	3581661
		UP-6-PATB-S02/1/V	FKM	3648046
		UP-6-PBTA-S01/1/N	NBR	3581662
		UP-6-PBTA-S01/1/V	FKM	3581663

### Note

The information in this brochure relates to the operating conditions and applications described. For applications and operating conditions not described: please contact the relevant technical department.

Subject to technical modifications.

Documents are only valid if they have been obtained via the website and are up-to-date.

### HYDAC FLUIDTECHNIK GMBH

Justus-von-Liebig-Str.

66280 Sulzbach/Saar  
Germany

Phone: +49 6897 509-01

E-Mail: valves@hydac.com

Internet: www.hydac.com