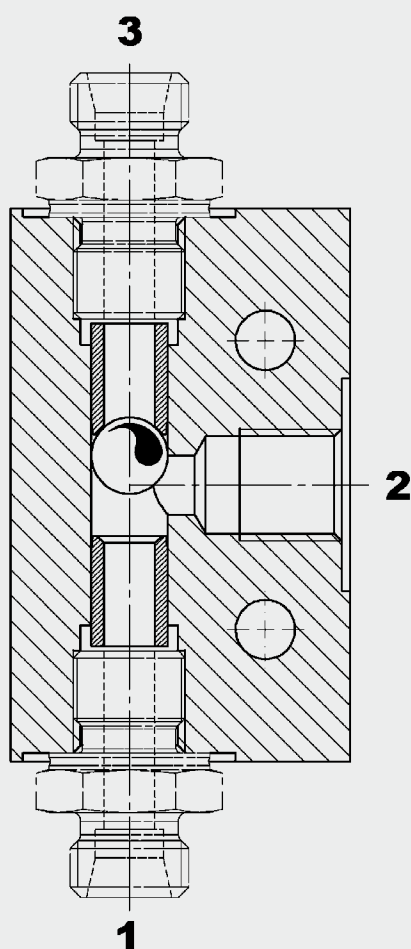


Up to 50 l/min  
Up to 420 bar

## FUNCTION



The shuttle valve WVG is a ball poppet shut-off valve. It has two inlets (port 1 and 3) and one outlet (port 2). The inlet with the higher pressure pushes the closing element towards the other inlet. The inlet with the higher pressure is therefore always automatically connected to the outlet, and the other inlet is shut off.

## Shuttle Valve 3-Way Manifold Mounted – 420 bar WVG-06

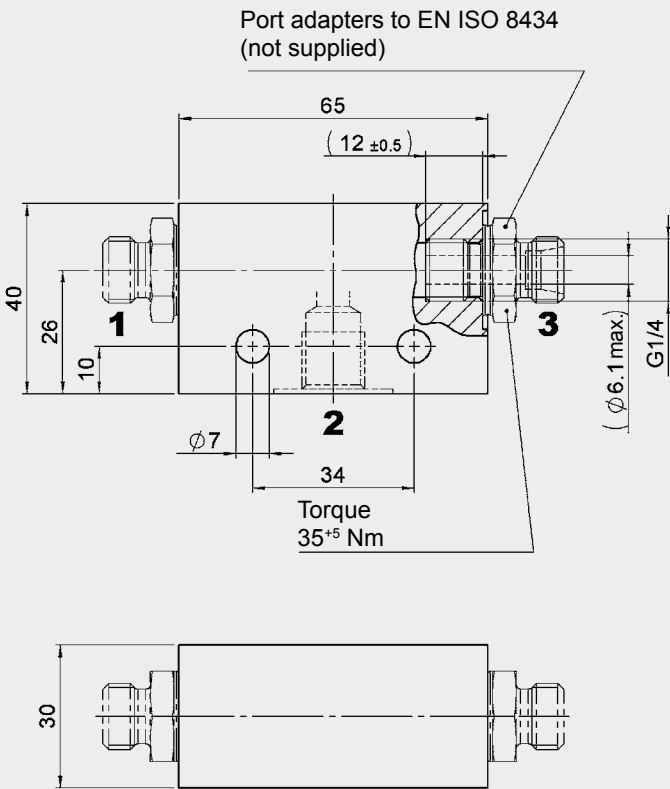
### FEATURES

- For safe and leak-free shut-off
- For control circuits with pilot-operated and remote-controlled directional valves, variable and control pumps and logic elements
- Housing designed for port adapters according to EN ISO 8434
- External surfaces zinc-plated
- Negative switching overlap
- Space-saving installation

### SPECIFICATIONS

Operating pressure:	max. 420 bar
Nominal flow:	max. 50 l/min
Leakage:	Leakage-free (max. 5 drops $\approx$ 0,25 cm <sup>3</sup> /min at 420 bar)
Media operating temperature range:	min. -20 °C to max. +120 °C
Ambient temperature range:	min. -20 °C to max. +120 °C
Operating fluid:	Hydraulic oil to DIN 51524 Part 1 and 2
Viscosity range:	min. 10 mm <sup>2</sup> /s to max. 420 mm <sup>2</sup> /s
Filtration:	Class 21/19/16 according to ISO 4406 or cleaner
MTTF <sub>d</sub> :	150 years (see "Conditions and instructions for valves" in brochure 5.300)
Installation:	No orientation restrictions
Materials:	Valve body: high tensile steel Ball: roller bearing steel
Weight:	0.55 kg

## DIMENSIONS



Millimeter  
Subject to technical modifications

## MODEL CODE

**WVG - 06 - 01**

**Basic model** \_\_\_\_\_  
Shuttle valve

**Size of connection** \_\_\_\_\_  
06 = G 1/4

**Series** \_\_\_\_\_  
(determined by manufacturer)

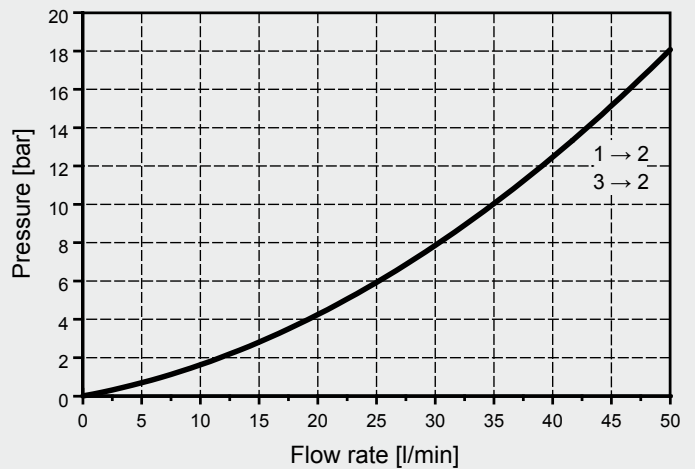
### Standard models

Model code	Part No.
WVG-06-01	3520977

Other models on request

## PERFORMANCE

Measured at  $v = 40 \text{ mm}^2/\text{s}$  and  $T_{\text{oil}} = 42 \text{ }^\circ\text{C}$



### NOTE

The information in this brochure relates to the operating conditions and applications described. For applications or operating conditions not described, please contact the relevant technical department.  
Subject to technical modifications.

**HYDAC Fluidtechnik GmbH**  
Justus-von-Liebig-Str.  
**D-66280 Sulzbach/Saar**  
Tel: 0 68 97 /509-01  
Fax: 0 68 97 /509-598  
E-Mail: flutec@hydac.com