

Accessories for Industrial valves



CONTENT

4WE – Directional spool valves, solenoid-operated	2
4WH – Directional spool valves, hydraulically pilot operated	3
WSE – Directional poppet valves, solenoid-operated	4
ZW – Valves in sandwich plate design	4
VP – Plate mounted valves	4
P4WE – Proportional directional valves	5
L-CEE – 2-way cartridge valves	6
LD-CCE – Covers for 2-way cartridge valves	7
Subplate	7
Cover plates	9
Crossover plates	10

4WE – Directional spool valves, solenoid-operated

	Nominal size	Designation	Sealing material	Scope of delivery	Part no.		
Seal kits	6	Dichtsatz 4WE 6 NBR	NBR	4 x O-ring Ø9,25 mm	3492432		
		Dichtsatz 4WE 6 FKM	FKM		3120269		
	10	Dichtsatz NG10 NBR	NBR	4 x O-ring Ø12,42 mm	4348706		
		Dichtsatz NG10 FPM	FKM		4348705		
Mounting screws	6	Befestigungsschrauben (P)4WE 6 A01		4 x M5	4312231		
	10	Befestigungsschrauben 4WE/4PWE 10		4 x M6	3524314		
Solenoid coils	6	COIL 12DG -50-2345 -S		1 piece	4244169		
		COIL 24DG -50-2345 -S			4244171		
		COIL 96DG -50-2345 -S			4244173		
		COIL 110DG -50-2345 -S			4330790		
		COIL 205DG -50-2345 -S			4244275		
		COIL 220DG -50-2345 -S			4386106		
		COIL 12DN -50-2345 -S			4244170		
		COIL 24DN -50-2345 -S			4244172		
		COIL 12DO -50-2345 -S			4250874		
		COIL 24DO -50-2345 -S			4250885		
		COIL 12DU -50-2345 -S			4250893		
		COIL 24DU -50-2345 -S			4250892		
		COIL 110AG -50-2345 -S			4244174		
		COIL 120AG -50-2345 -S			4348779		
	COIL 230AG -50-2345 -S		4244276				
	6 ¹	COIL 24DG -50-2345;8W -S			4277864		
		COIL 24DO -50-2345;8W -S			4250889		
		COIL 24DN -50-2345;8W -S			4290983		
	10	COIL 12DG -75-3164 38W			4251228		
		COIL 24DG -75-3164 38W			4251230		
		COIL 96DG -75-3164 38W			4251232		
		COIL 110DG -75-3164 38W			4251233		
		COIL 125DG -75-3164 38W			4251234		
		COIL 205DG -75-3164 38W			4251255		
		COIL 220DG -75-3164 38W			4251257		
		COIL 12DN -75-3164 38W			4360072		
		COIL 24DN -75-3164 38W			4360073		
		COIL 24DO -75-3164 38W			4251262		
		Seal kit solenoid coils	6		COIL-NUT-KIT NG6 -STANDARD		1 x Nut open, O-ring
	COIL-NUT-KIT NG6 -M1					1 x Nut with folding cap, O-ring	4317301
	COIL-NUT-KIT NG6 -M2					1 x Nut with cap, O-ring	4317302
	COIL-NUT-KIT NG6 -M4						4454991
COIL-NUT-KIT NG6 -M5					4454992		
COIL-NUT-KIT NG6 -M6					4454993		
10	COIL-NUT-KIT NG10 -STANDARD			1 x Nut open, O-ring	4348711		
	COIL-NUT-KIT NG10 -M1			1 x Nut with folding cap, O-ring	4348713		
	COIL-NUT-KIT NG10 -M4				4454994		
	Manual overrides		6	CH-06031 MU kpl. M22x1,5 SO1166	1 x M4 with knurled-head screw	4429328	
Pilzknopf-Nothand (feststellbar)	1 x M5 with mushroom manual override (lockable)	4373722					
Pilzknopf-Nothand (nicht feststellbar)	1 x M6 with mushroom manual ov. (not lockable)	4373490					
10	GZ63-* - 3K Mutter M.N. M30x1.5		1 x M1 with pleated cap	912544			
	CH-06031 MU kpl. M30x1,5 SO1166		1 x M4 with knurled-head screw	4431668			

¹ for series A08

Hint

The chart lists accessory parts of the **A01** series.

Accessory parts for the **S01** series, please contact your technical contact person at HYDAC.

M1 Coil nut kits for valve version M1 only.

4WE – Directional spool valves, solenoid-operated

	Nominal size	Designation	Sealing material	Scope of delivery	Part no.
Connector	6 10	Leitungsdose kpl Z4 grau 2pol		1 x Z4 standard, 2-pole without PE	394287
		Leitungsdose kpl ZW4 grau 2pol Glr		1 x ZW4 incl. rectifier	394293
		Leitungsdose kpl Z4L grau 2pol LED		1 x Z4L LED, 2-pole	394285
Orifice insert	6	EINSTECKBLENDE 0,8 NG6 SERIE A/N	NBR	1 x Orifice 0,8 mm	4532049
		EINSTECKBLENDE 0,8 NG6 SERIE A/V	FKM	1 x Orifice 0,8 mm	4532048
		EINSTECKBLENDE 1,0 NG6 SERIE A/N	NBR	1 x Orifice 1,0 mm	4532051
		EINSTECKBLENDE 1,0 NG6 SERIE A/V	FKM	1 x Orifice 1,0 mm	4532050
		EINSTECKBLENDE 1,2 NG6 SERIE A/N	NBR	1 x Orifice 1,2 mm	4532053
		EINSTECKBLENDE 1,2 NG6 SERIE A/V	FKM	1 x Orifice 1,2 mm	4532052
		EINSTECKBLENDE 1,5 NG6 SERIE A/N	NBR	1 x Orifice 1,5 mm	4532125
		EINSTECKBLENDE 1,5 NG6 SERIE A/V	FKM	1 x Orifice 1,5 mm	4532054
		EINSTECKBLENDE 1,8 NG6 SERIE A/N	NBR	1 x Orifice 1,8 mm	4532127
		EINSTECKBLENDE 1,8 NG6 SERIE A/V	FKM	1 x Orifice 1,8 mm	4532126
		EINSTECKBLENDE 2,0 NG6 SERIE A/N	NBR	1 x Orifice 2,0 mm	4532129
		EINSTECKBLENDE 2,0 NG6 SERIE A/V	FKM	1 x Orifice 2,0 mm	4532128
	10	Einsteckblende 0,8 NG10 Serie A		1 x Orifice 0,8 mm	4549897
		Einsteckblende 1,0 NG10 Serie A		1 x Orifice 1,0 mm	4549898
		Einsteckblende 1,2 NG10 Serie A		1 x Orifice 1,2 mm	4549899
		Einsteckblende 1,5 NG10 Serie A		1 x Orifice 1,5 mm	4549900
		Einsteckblende 1,8 NG10 Serie A		1 x Orifice 1,8 mm	4549901
		Einsteckblende 2,0 NG10 Serie A		1 x Orifice 2,0 mm	4549902

Hint

The chart lists accessory parts of the **A01** series.

Accessory parts for the **S01** series, please contact your technical contact person at HYDAC.

4WH – Directional spool valves, hydraulically operated

	Nominal size	Designation	Sealing material	Scope of delivery	Part no.
Seal kits	10	Dichtsatz 4WH 10 NBR	NBR	5 x O-ring Ø12,42 mm	3524475
		Dichtsatz 4WH 10 FPM	FKM	+ 2 x O-ring Ø9,25 mm	3524523
	16	Dichtsatz 4WH 16 NBR	NBR	4 x O-ring Ø22,22 mm	3524553
		Dichtsatz 4WH 16 FPM	FKM	+ 2 x O-ring Ø10,82 mm	3524634
	25	Dichtsatz 4WH/C4WEHRE 25 NBR	NBR	4 x O-ring Ø29,82 mm	3524659
		Dichtsatz 4WH/C4WEHRE 25 FPM	FKM	+ 2 x O-ring Ø20,24 mm	3524660
	32	Dichtsatz 4WH 32 NBR	NBR	4 x O-ring Ø37,59 mm	3524685
		Dichtsatz 4WH 32 FPM	FKM	+ 2 x O-ring Ø20,24 mm	3524690
Mounting screws	10	Befestigungsschrauben (P)4WH 10		4 x M6	3524691
	16	Befestigungsschrauben 4WH 16		4 x M10 + 2 x M6	3524695
	25	Befestigungsschrauben (P)4WH 25		6 x M12	3524698
	32	Befestigungsschrauben (P)4WH 32		6 x M20	3524700
Plugs *	10	Stopfen M5x6 für 4WH 10		1 x M5	4452918
	16	Stopfen M6x8 für 4WH 16/25/32		1 x M6	3524750
	25				
	32				

*for port X/Y for pilot oil supply/ pilot oil drain

WSE – Directional poppet valves, solenoid-operated

	Nominal size	Designation	Sealing material	Scope of delivery	Part no.
Seal kits	6	Dichtsatz 4WE 6 FKM	FKM	4 x O-ring Ø9,25 mm	3120269
Mounting screws		Befestigungsschrauben (P)4WE 6 A01		4 x M5	4312231
Solenoid coils		COIL 24DG -50-2345 -S		1 piece	4244171
		COIL 24DN -50-2345 -S			4244172
		COIL 24DO -50-2345 -S			4250885
		COIL 24DU -50-2345 -S			4250892
Seal kit solenoid coils		COIL-NUT-KIT NG6 -STANDARD		1 x Nut open, O-ring	4317299
		COIL-NUT-KIT NG6 -M2		1 x Nut + cap, O-ring	4317302
Connector		Leitungsdose kpl Z4 grau 2pol		1 x Z4 standard, 2-pole without PE	394287
		Leitungsdose kpl Z4L grau 2pol LED		1 x Z4L incl. LED	394285
Orifice insert		BL700-6-D8-0.5-A*00		1 x Orifice 0,5 mm	3687934
		BL700-6-D8-0.7-A*00		1 x Orifice 0,7 mm	3687956
		BL700-6-D8-1.0-A*00		1 x Orifice 1,0 mm	3687961
		BL700-6-D8-1.4-A*00		1 x Orifice 1,4 mm	3656890
		BL700-6-D8-2.0-A*00		1 x Orifice 2,0 mm	3687970
Check valve (port P)		RV500-6-D8-V-A*00		1 piece	4269275

Caution

The combination of Orifice insert and Check valve is not allowed.

ZW – Valves in sandwich plate design

	Nominal size	Designation	Sealing material	Scope of delivery	Part no.
Seal kits	6	Dichtsatz 4WE 6 NBR	NBR	4 x O-ring Ø9,25 mm	3492432
		Dichtsatz 4WE 6 FKM	FKM		3120269
	10	Dichtsatz 4WE 10 FKM	FKM	5 x O-ring Ø12,42 mm	3492434
		Dichtsatz 4WE 10 NBR	NBR		3492433
	16	Dichtsatz 4WH 16 NBR	NBR	4 x O-ring Ø22,22 mm	3524553
		Dichtsatz 4WH 16 FPM	FKM	2 x O-ring Ø10,82 mm	3524634
	25	Dichtsatz 4WH/C4WEHRE 25 NBR	NBR	4 x O-ring Ø29,82 mm	3524659
		Dichtsatz 4WH/C4WEHRE 25 FPM	FKM	2 x O-ring Ø20,24 mm	3524660

VP – Plate mounted valves

	Valve type	Designation	Sealing material	Scope of delivery	Part no.
Seal kits	VP-P2SRR 6 VP-2SR 6 VP-P2SRE 6	Dichtsatz VP-P2SRR6,-2SR6,-P2SRE6 NBR	NBR	2 x O-ring Ø14 mm	3526072
		Dichtsatz VP-P2SRR6,-2SR6,-P2SRE6 FPM	FKM		3526085
	VP-RP 6 VP-DRP 6 VP-PDB 6 VP-PDRP 6	Dichtsatz VP-RP6, -DRP6,-PDB6,-PDRP6 NBR	NBR	4 x O-ring Ø9,25 mm	3526088
		Dichtsatz VP-RP6, -DRP6,-PDB6,-PDRP6 FPM	FKM		3526091
	VP-DBP 10 VP-PDBP 10	Dichtsatz VP-DBP10, VP-PDBP10 NBR	NBR	2 x O-ring Ø17,86 mm	3526094
		Dichtsatz VP-DBP10, VP-PDBP10 FPM	FKM	1 x O-ring Ø9,19 mm	3526098
	VP-DRP 10 VP-RP 10	Dichtsatz VP-DRP10, VP-RP10 NBR	NBR	2 x O-ring Ø17,13 mm	3526099
		Dichtsatz VP-DRP10, VP-RP10 FPM	FKM	2 x O-ring Ø5,28 mm	3526101
	VP-2SR 10	Dichtsatz VP-2SR10 NBR	NBR	2 x O-ring Ø15 mm	3526102
		Dichtsatz VP-2SR10 FPM	FKM		3526103

VP – Plate mounted valves

	Valve type	Designation	Sealing material	Scope of delivery	Part no.
Mounting screws	VP-2SR 6	Befestigungsschrauben VP-2SR6		4 x M5	3526116
	VP-RP 6 VP-DRP 6 VP-PDRP 6	Befestigungsschrauben VP-RP6,-DRP6,-PDRP			3526118
	VP-DBP 10 VP-PDBP 10	Befestigungsschrauben VP-DBP10,-PDBP10		4 x M12	3526122
	VP-DRP 10 VP-RP 10	Befestigungsschrauben VP-DRP10,VP-RP10		4 x M10	3526126
	VP-PDB 6	Befestigungsschrauben VP-PDB6		4 x M5	3526129
	VP-P2SRE 6	Befestigungsschrauben VP-P2SRE6			3526131
	VP-P2SRR 6	Befestigungsschrauben VP-P2SRR6			3526133
		VP-2SR 10	Befestigungsschrauben VP-2SR10		4 x M8
Solenoid coils		Auf Anfrage			
Connector		Leitungsdose kpl Z4 grau 2pol		1 x Z4 standard, 2-pole without PE	394287
		Leitungsdose kpl ZW4 grau 2pol Glr		1 x ZW4 incl. rectifier	394293

P4WE – Proportional directional valves

	Nom. size/ Valve type	Designation	Sealing material	Scope of delivery	Part no.
Seal kits	6	Dichtsatz ZW/P4WE 6 FPM	FKM	4 x O-ring Ø9,25 mm	3524413
		Dichtsatz ZW/P4WE 6 NBR	NBR		3524355
	10	Dichtsatz ZW/P4WE 10 FPM	FKM	4 x O-ring Ø12,45 mm	3524439
		Dichtsatz ZW/P4WE 10 NBR	NBR		3524438
Mounting screws	6 ¹	Befestigungsschrauben (P)4WE 6 A01		4 x M5	4312231
	6	Befestigungsschrauben 4WE/P4WE 6			3524313
	10	Befestigungsschrauben 4WE/4PWE 10		4 x M6	3524314
Solenoid coils	6 ¹	COIL 12PG- 2.7 -50-2345 -S		1 piece	4356846
		COIL 24PG- 5 -50-2345 -S			4356848
		COIL 12PN- 2.7 -50-2345 -S			4356849
		COIL 24PN- 5 -50-2345 -S			4356851
	6	Coil für P4WE / P4WEE 12Volt			3549725
		Coil für P4WE 24Volt			3549737
	10	Coil für P4WE / P4WEE 12Volt			3549738
		Coil für P4WE 24Volt			3549739
Seal kit solenoid coils	6 ¹	COIL-NUT-KIT NG6 -STANDARD		1 x Nut open, O-ring	4317299
Connector	P4WE(R) 6/ 10	Leitungsdose kpl Z4 grau 2pol		1x Z4 standard, 2-pole	394287
Control module ²	P4WE 6/10	EHCD-AP012XXXD		1 piece	6108508
		EHCD-AP011XXXD			6112594
	P4WE(R) 6/ 10	EHCD-AM005XXXU			6158999
Service Tool		Prop-Box			3904840
Main connector for Onboard Electronic		Stecker 6+PE EN175201 Part 804			6080324
Electronics for Onboard Electronic		LINBUS Interface			3648934

¹ for series A01 only

² For further information see brochure "Control modules for hydraulic drives -EHCD" catalogue-24000.2/10/14 or contact customer support EHCD@hydac.com

L-CEE – 2-way cartridge valves

	Nominal size	Designation	Sealing material	Scope of delivery	Part no.
Seal kits	16	Dichtsatz / Seal kit L-CEE 16 H/V	FKM	1 x for L-CEE 16 H	4055843
		Dichtsatz / Seal kit L-CEE 16 H/N	NBR		4055840
		Dichtsatz / Seal kit L-CEE 16 H X/V	FKM	1 x for L-CEE 16 H X	4055848
		Dichtsatz / Seal kit L-CEE 16 H X/N	NBR		4055846
	25	Dichtsatz / Seal kit L-CEE 25 H/V	FKM	1 x for L-CEE 25 H	4055867
		Dichtsatz / Seal kit L-CEE 25 H/N	NBR		4055851
		Dichtsatz / Seal kit L-CEE 25 H X/V	FKM	1 x for L-CEE 25 H X	4055869
		Dichtsatz / Seal kit L-CEE 25 H X/N	NBR		4055868
	32	Dichtsatz / Seal kit L-CEE 32 H/V	FKM	1 x for L-CEE 32 H	4055872
		Dichtsatz / Seal kit L-CEE 32 H/N	NBR		4055870
		Dichtsatz / Seal kit L-CEE 32 H X/V	FKM	1 x for L-CEE 32 H X	4055895
		Dichtsatz / Seal kit L-CEE 32 H X/N	NBR		4055874
	40	Dichtsatz / Seal kit L-CEE 40 H/V	FKM	1 x for L-CEE 40 H	4055898
		Dichtsatz / Seal kit L-CEE 40 H/N	NBR		4055896
		Dichtsatz / Seal kit L-CEE 40 H X/V	FKM	1 x for L-CEE 40 H X	4055900
		Dichtsatz / Seal kit L-CEE 40 H X/N	NBR		4055899
	50	Dichtsatz / Seal kit L-CEE 50 H/V	FKM	1 x for L-CEE 50 H	4055902
		Dichtsatz / Seal kit L-CEE 50 H/N	NBR		4055901
		Dichtsatz / Seal kit L-CEE 50 H X/V	FKM	1 x for L-CEE 50 H X	4055915
		Dichtsatz / Seal kit L-CEE 50 H X/N	NBR		4055903
	63	Dichtsatz / Seal kit L-CEE 63 H/V	FKM	1 x for L-CEE 63 H	4055917
		Dichtsatz / Seal kit L-CEE 63 H/N	NBR		4055916
		Dichtsatz / Seal kit L-CEE 63 H X/V	FKM	1 x for L-CEE 63 H X	4055920
		Dichtsatz / Seal kit L-CEE 63 H X/N	NBR		4055918
80	Dichtsatz / Seal kit L-CEE 80 H/V	FKM	1 x for L-CEE 80 H	4486893	
	Dichtsatz / Seal kit L-CEE 80 H/N	NBR		4486928	
	Dichtsatz / Seal kit L-CEE 80 H X/V	FKM	1 x for L-CEE 80 H X	4486929	
	Dichtsatz / Seal kit L-CEE 80 H X/N	NBR		4486934	

Nominal size	Spring spare part depending on NG and poppet design with pressure specification [bar]					Part no. spring
	A	B	C	E	F	
16	0,5	0,5	0,5	0,3	0,3	4161593
	1,0	1,0	1,0	0,7	0,7	4161615
	2,0	1,9	1,9	1,4	1,4	4161616
	4,0	3,8	3,8	2,7	2,7	4161617
25	0,5	0,5	0,5	0,4	0,4	4161451
	1,0	1,0	1,0	0,7	0,7	4161452
	2,0	2,1	2,1	2,5	2,5	4161453
	4,0	4,2	4,2	3,0	3,0	4161454
32	0,5	0,5	0,5	0,4	0,4	4161624
	1,0	1,0	1,0	0,7	0,7	4161625
	2,0	2,0	2,0	1,4	1,4	4161626
	4,0	4,0	4,0	2,8	2,8	4161627
40	0,4	0,5	0,5	0,4	0,4	4161633
	0,7	1,0	1,0	0,7	0,7	4161634
	1,4	2,0	2,0	1,4	1,4	4161634 + 4161675
	2,9	4,0	4,0	2,9	2,9	4161676 + 4161675
50	0,4	0,5	0,5	0,4	0,4	4161585
	0,7	1,0	1,0	0,7	0,7	4161586
	1,4	2,0	2,0	1,4	1,4	4161587
	2,9	4,0	4,0	2,9	2,9	4161587 + 4161588
63	0,4	0,5	0,5	0,4	0,4	4161618
	0,7	1,0	1,0	0,7	0,7	4161619
	1,5	2,0	2,0	1,4	1,7	4161620
	2,9	4,0	4,0	2,9	2,9	4161620 + 4161623
80	0,4	0,5	0,5	0,4	0,4	4161629
	0,7	1,0	1,0	0,7	0,7	4161630
	1,4	2,0	2,0	1,4	1,4	4161631
	2,8	4,0	4,0	2,8	2,8	4161631 + 4161632

LD-CCE – Cover for 2-way cartridge valves

	Nominal size	Designation	Sealing material	Scope of delivery	Part no.
Seal kits	16	LD-FS 16 H 6/N	NBR	1 piece	4167630
	25	LD-FS 25 H 6/N			4167631
	32	LD-FS 32 H 6/N			4167632
	40	LD-FS 40/50 H 6 /N			4167633
	50	LD-FS 40/50 H 6 /N			4167633
	63	LD-FS 63 H 6/N			4167655
	80	LD-FS 80 H 6/N			4167657
Mounting screws	16	Befestigungsschrauben LD-CEE 16		4 x M8	3524859
	25	Befestigungsschrauben LD-CEE 25		4 x M12	3526065
	32	Befestigungsschrauben LD-CEE 32		4 x M16	3526067
	40	Befestigungsschrauben		4 x M20	3526069
	50	LD-CEE 40/50			
	63	Befestigungsschrauben LD-CEE 63		4 x M30	3526070
	80	Befestigungsschrauben LD-CEE 80		4 x M24	4514532
Orifice insert		Einbauduese LD-CCE M5 0,8mm		1 x M5 for Orifice 0,8 mm	6071916
		Einbauduese LD-CCE M6 0,8mm		1 x M6 for Orifice 0,8 mm	6071917
		Einbauduese LD-CCE M8 0,8mm		1 x M8 for Orifice 0,8 mm	6071918
		Einbauduese LD-CCE M10 0,8mm		1 x M10 for Orifice 0,8 mm	6071919
		Einbauduese LD-CCE M5 1,5mm		1 x M5 for Orifice 1,5 mm	6071920
		Einbauduese LD-CCE M6 1,5mm		1 x M6 for Orifice 1,5 mm	6071921
		Einbauduese LD-CCE M8 1,5mm		1 x M8 for Orifice 1,5 mm	6071922
		Einbauduese LD-CCE M10 1,5mm		1 x M10 for Orifice 1,5 mm	6071923

SUBPLATE

MODEL CODE

AP - 6 - G3/8 - S01 / 1 / N

Type

Subplate

Nominal size (NG)

6, 10

Ports or function

G3/8 = NG6 (ports P, A, B, T)

G1/2 = NG10 (ports P, A, B, T)

Series

S01 = phosphate-plated

Interface

1 = NG6: DIN 24340 form A6 ISO 4401

NG10: DIN 24340 form A10 ISO 4401

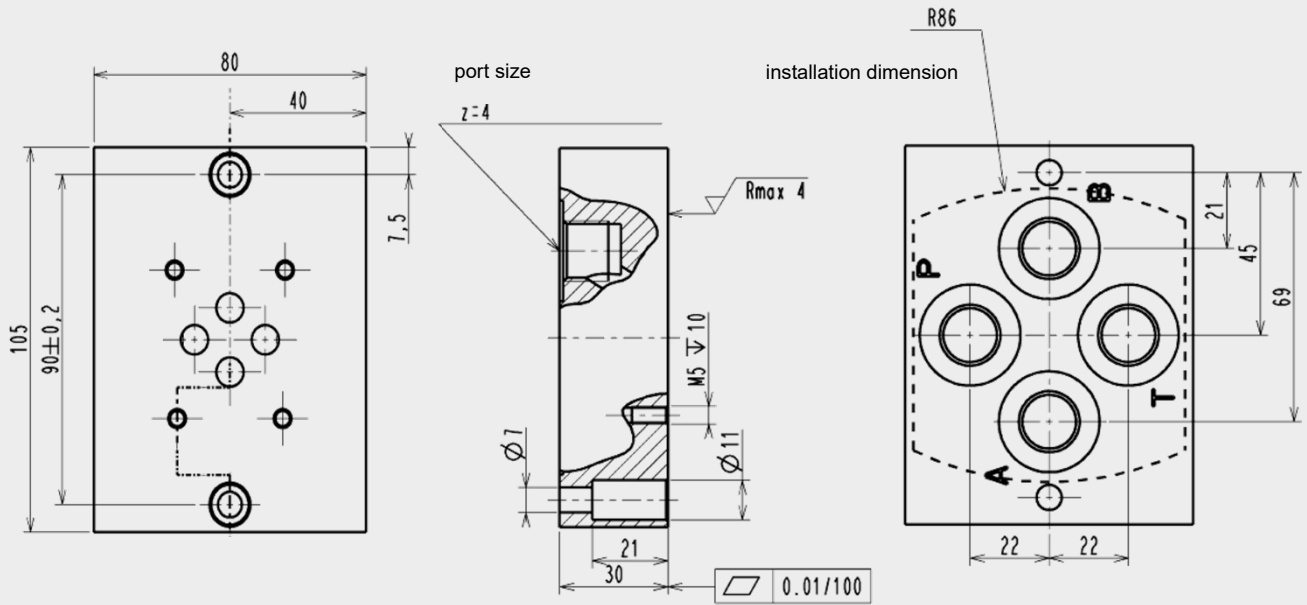
Sealing material

V = FKM

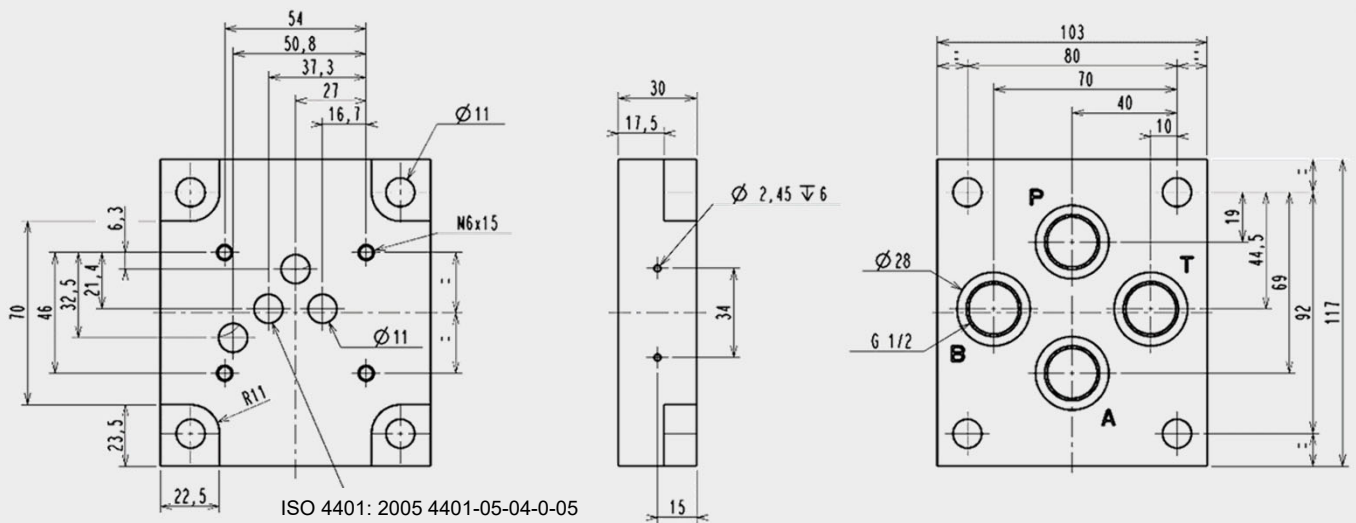
N = NBR

DIMENSIONS

NG6



NG10



	Interface	Designation	Part no.
Subplate	ISO 4401-03-02-0-05	AP-6-G3/8-S01/1	3565254
	ISO 4401-05-04-0-05	AP-10-G1/2-S01/1	3565280

COVER PLATE

MODEL CODE

SP - 6 - S01 / 1 / N

Type

Cover plate

Nominal size (NG)

6, 10

Series

S01 = phosphate-plated
S02 = zinc-plated

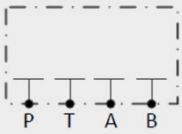
Interface

1 = NG6: DIN 24340 form A6 ISO 4401
NG10: DIN 24340 form A10 ISO 4401

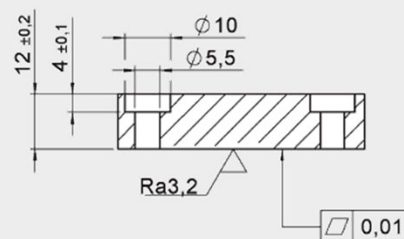
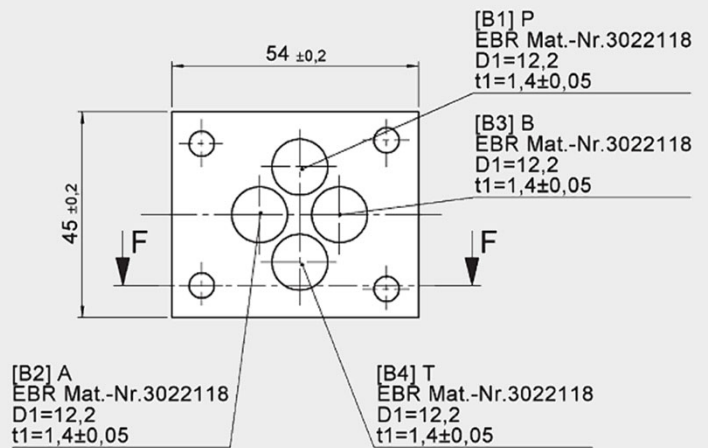
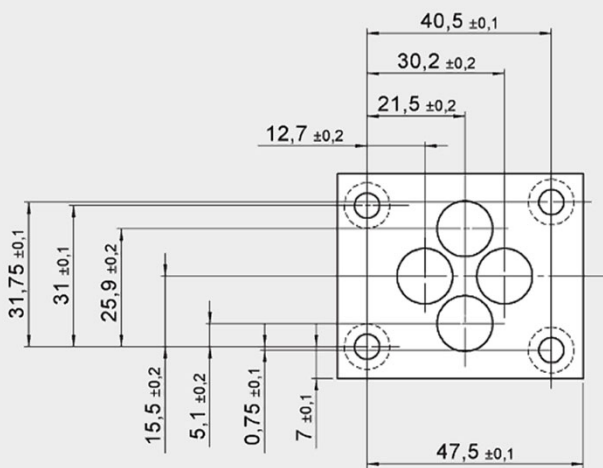
Sealing material

V = FKM
N = NBR

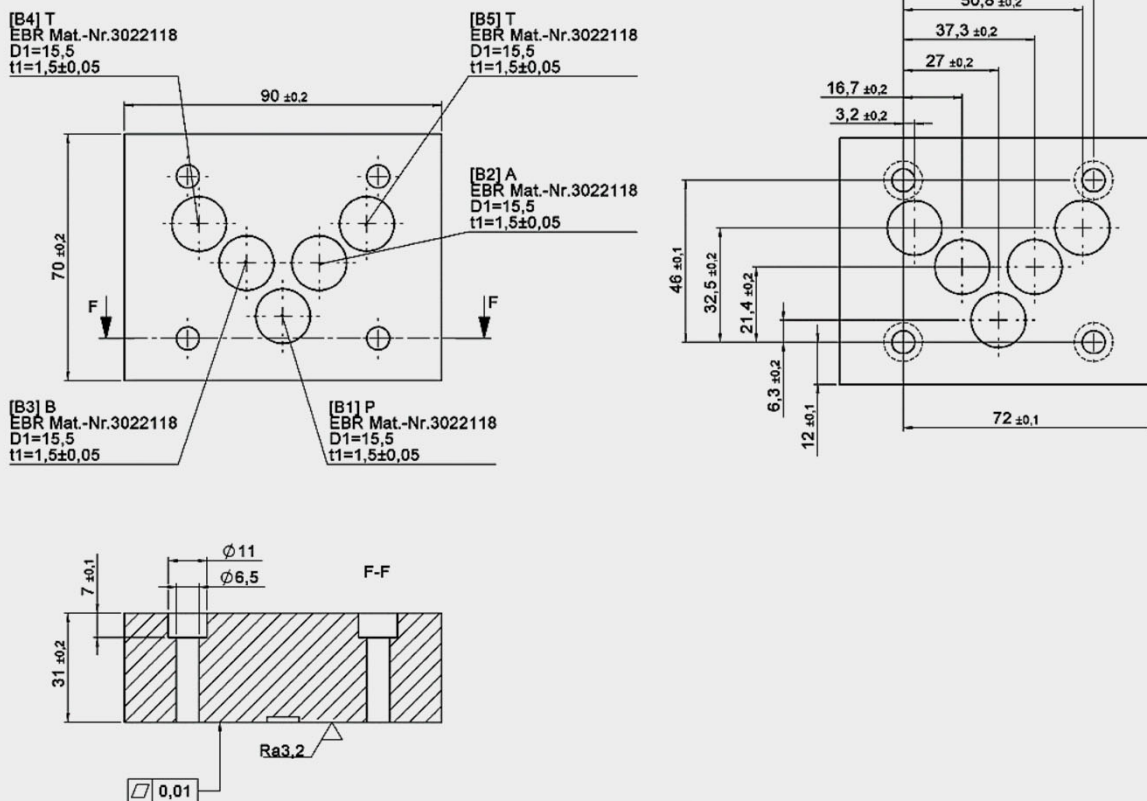
DIMENSIONS



NG6



NG10



	Interface	Designation	Sealing material	Part no.
Cover plates	ISO 4401-03-02-0-05	SP-6-S01/1/N	NBR	3611576
		SP-6-S01/1/V	FKM	3611580
		SP-6-S02/1/N	NBR	3632323
		SP-6-S02/1/V	FKM	3632322
	ISO 4401-05-04-0-05	SP-10-S01/1/N	NBR	3738287
		SP-10-S01/1/V	FKM	3782210
		SP-10-S02/1/N	NBR	4136064
		SP-10-S02/1/V	FKM	4136105

CROSSOVER PLATES

MODEL CODE

UP - 6 - PATB - S01 / 1 / N

Type

Crossover plate

Nominal size (NG)

6

Ports or function

PATB = connection PA/TB
PBTA = connection PB/TA

Series

S01 = phosphate-plated
S02 = zinc-plated

Interface

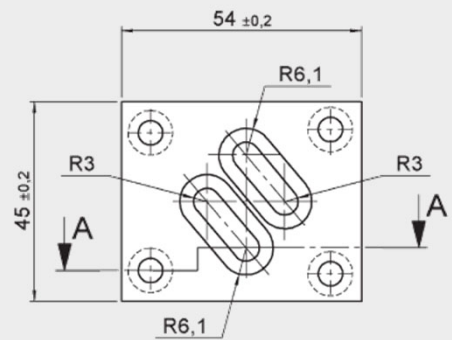
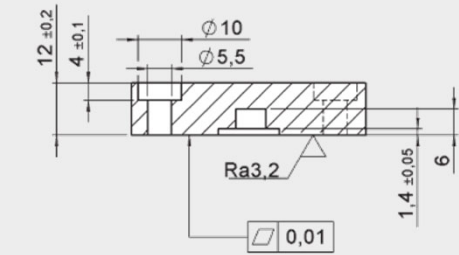
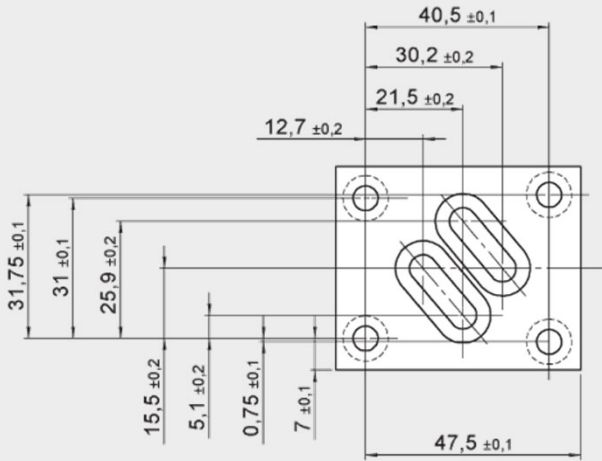
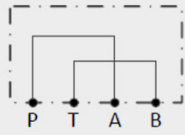
1 = NG6: DIN 24340 form A6 ISO 4401
NG10: DIN 24340 form A10 ISO 4401

Sealing material

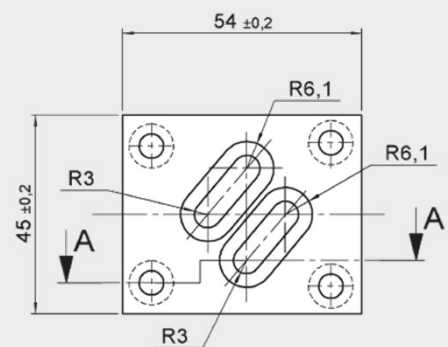
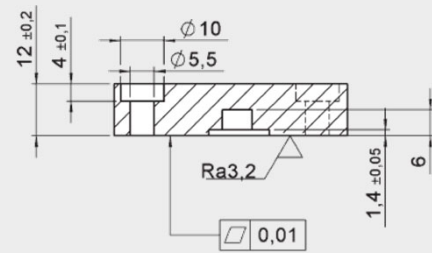
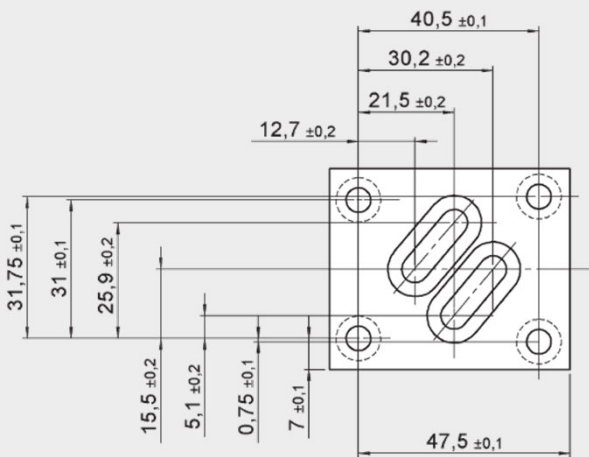
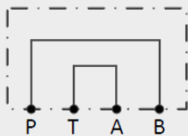
V = FKM
N = NBR

DIMENSIONS

PATB



PBTA



	Interface	Designation	Sealing material	Part no.
Crossover plates	ISO 4401-03-02-0-05	UP-6-PATB-S01/1/N	NBR	3581660
		UP-6-PATB-S01/1/V	FKM	3581661
		UP-6-PATB-S02/1/V	FKM	3648046
		UP-6-PBTA-S01/1/N	NBR	3581662
		UP-6-PBTA-S01/1/V	FKM	3581663

Note

The information in this brochure relates to the operating conditions and applications described. For applications not described, please contact the relevant technical department.
All technical details are subject to change without notice.

HYDAC Fluidtechnik GmbH

Justus-von-Liebig-Str.

D-66280 Sulzbach/Saar

Tel: 0 68 97 /509-01

Fax: 0 68 97 /509-598

E-Mail: valves@hydac.com